

BRAKE BOOSTERS

IH

New Equipment By:

Bendix
Midland
Wagner
Delco

Rebuilt Equipment:

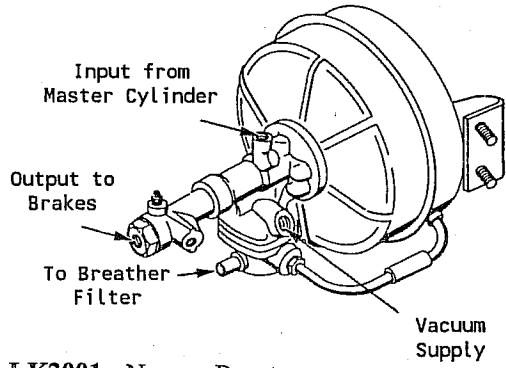
100% Factory Tested

Full Factory Warranty!

FOR PARK BRAKES, SEE DRIVE LINE SECTION

FRAME MOUNTED BOOSTERS

Type 1



- LK2001 New Booster
- LK2013 Rebuilt Booster

LK2594 Brass Nipple for Vacuum Port

LK5430 Booster Troubleshoot Guide

The Frame Mounted Booster was used from approximately 1969 thru 1978.

The same booster can be used in either the front or rear position on the chassis frame.

SERVICE INFORMATION



LK5430 Troubleshoot Type-1 Booster

LK0102 Remove Type-2 Push Rod

LK2078 Troubleshoot Type-3 Booster
LK9885 Rebuild Type-3 Power Head

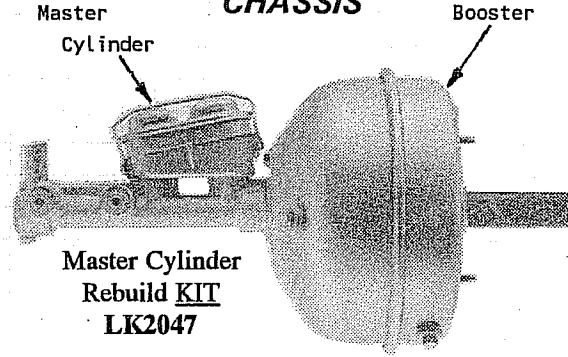
LK0101 Remove Type-4 Push Rod
LK8783 Rebuild Type-4 Power Head

LK2076 Troubleshoot Type-5 Power Head
LK2079 Install Type-5 Check Valve
LK8790 Rebuild Type-5 Power Head

FIREWALL MOUNTED BOOSTERS

Type 2

FOR IH CHASSIS



- LK2023 New Master Cylinder Only
- LK2024 Rebuilt Master Cylinder Only

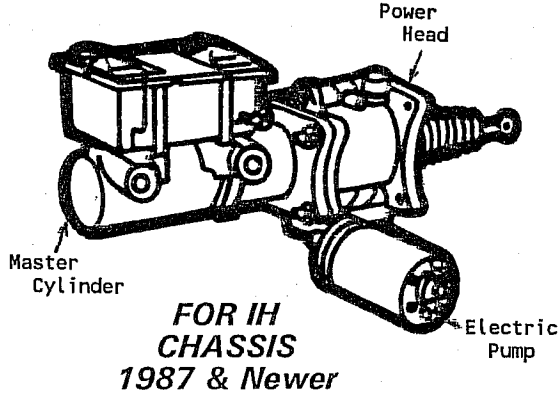
LK2004 New Booster Only
LK2014 Rebuilt Booster Only

LK0102 How To Remove Booster Push-Rod

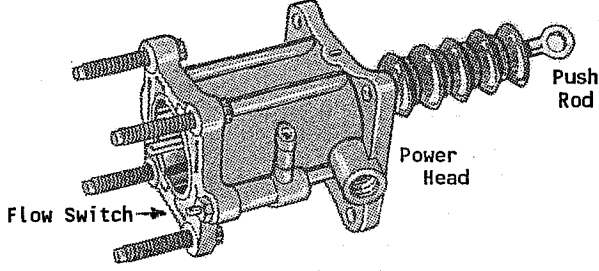
The Firewall Mounted Booster was used from approximately 1967 thru 1977.

FIREWALL MOUNTED HYDRO-MAX POWER BOOSTERS

Type 4



FOR IH CHASSIS 1987 & Newer



- LK2630 New Power Head Only - 1987-89
- LK6195 New Power Head Only - 1990 up
- LK2635 Rebuilt Power Head Only - 1987-89
- LK6720 Rebuilt Power Head Only - 1990 up
- LK2640 New Electric Pump Only - 1987-89
- LK6193 New Electric Pump Only - 1990 up
- LK2645 Rebuilt Electric Pump Only - 1987-89
- LK6721 Rebuilt Electric Pump Only - 1990 up
- LK2637 Control Relay for Elec Pump - 1987-89
- LK6194 Control Relay for Elec Pump - 1990 up

LK5155 O-Ring - Power Head to Elec Pump
LK5154 Grommet For Push Rod Installation
JK0728 Push Rod (Input)

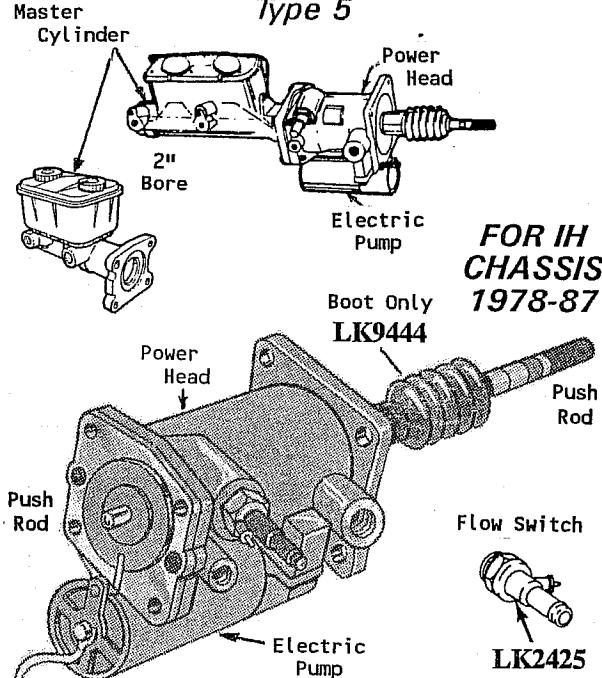
LK2571 Electronic Control Module
LK0867 Flow Switch
LK0227 Hydraulic Hoses

LK0101 How To Remove Push Rod
LK2385 Kit - Power Head Rebuild
LK8783 Power Head Rebuild Instructions

The Hydro-Max Booster System became standard equipment on IH units produced after 2/2/87.

FIREWALL MOUNTED HY-POWER BOOSTERS

Type 5



FOR IH CHASSIS 1978-87

- LK9444 Boot Only
- LK2618 New Power Head Only
- LK2620 Rebuilt Power Head Only
- LK2418 New Electric Pump Only
- LK2420 Rebuilt Electric Pump Only
- LK8732 Control Relay for Electric Pump Mtr

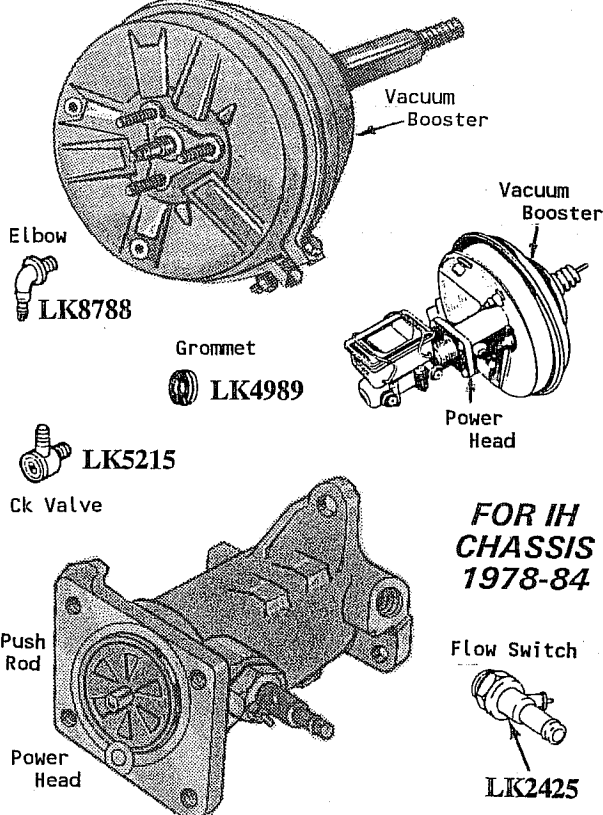
JK0732 Push Rod (Output to Master Cyl)
JK0731 Push Rod (Input)
LK0227 Hydraulic Hoses
LK2425 Flow Switch

LK2076 Troubleshoot Guide
LK2384 Kit - Power Head Rebuild
LK8790 Power Head Rebuild Instructions
LK2079 Check Valve & Spring Instructions

Hy-Power Boosters were used on IH bus chassis from 1978 to February 2, 1987.

FIREWALL MOUNTED DUAL-POWER BOOSTERS

Type 3



FOR IH CHASSIS 1978-84

LK8788 Elbow
LK4989 Grommet
LK5215 Ck Valve

LK2402 New Power Head Only
LK2407 Rebuilt Power Head Only

LK2033 New Vacuum Booster Only
LK2414 Rebuilt Vacuum Booster Only

JK0734 Push Rod (Output to Master Cyl)
LK0227 Hydraulic Hoses
LK2425 Flow Switch

LK2078 Troubleshoot Guide
LK2391 Kit - Power Head Rebuild
LK9885 Power Head Rebuild Instructions

